

Industrial 3G/4G/Ether-WAN router with IoT*

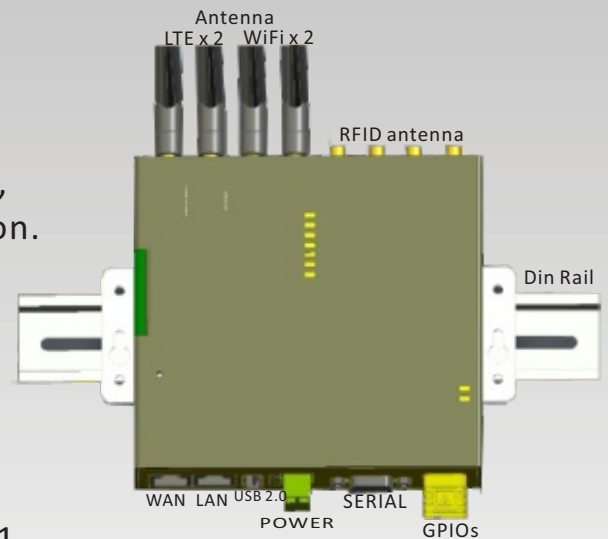
3JTECH
Since 1988

IOT*: The Internet of Things (IoT) is a system of interrelated computing devices, mechanical and digital machines, objects, animals or people that are provided with unique identifiers and the ability to transfer data over a network without requiring human-to-human or human-to-computer interaction.

Introduction

An Industrial IoT gateway with LTE, wifi and Bluetooth on board for data collection from a variety of IoT device sensors. Such as temperature, Humidity, air pressure, electricity, G sensor, Gyroscope, light, Modbus PLC and so on.

IoT gateway can convert different interfaces and device's protocols to major IoT server. Such as Http server, MQTT server ..



General Specifications

10/100M LAN x 1, WAN x 1

Optional Mini PCIe x 1 or RFID M2242 module x 1.

I2C x 1

USB Type A x 1

LED x 8

Reset button x 1

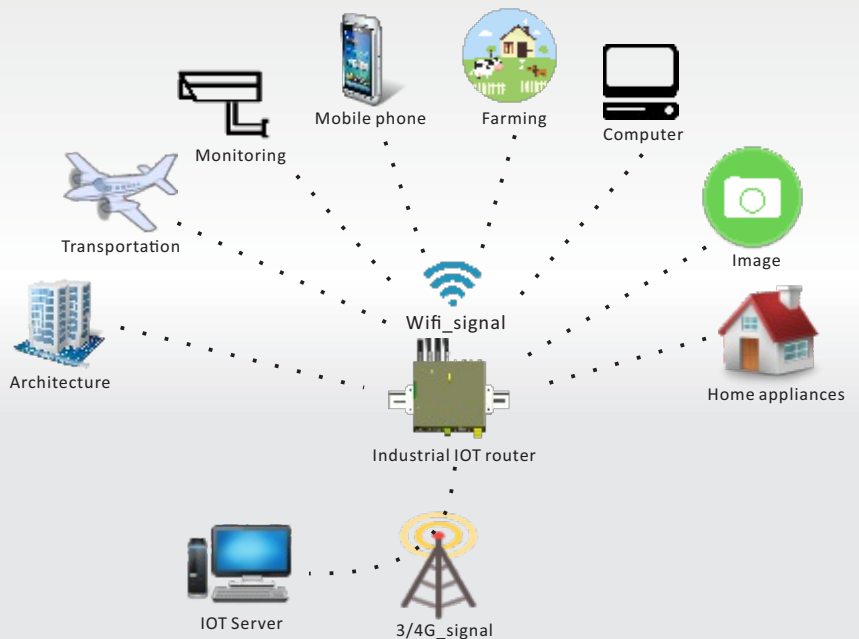
Micro SD Card x 1

Standard SIM Card x 1

Wifi SMA Antenna x 2

LTE SMA Antenna x 2.

DC Jack x1 (DC 8V –30V input)



Special features

RS232C x 1 or RS485 x 1

GPIO x 4

Bluetooth module

RFID (optional)

H/W Specifications

CPU: MT7620A

SDRAM: 64MB ~ 256MB

Flash: 8MB ~ 16MB

Operation temperature range: -40C to +85C

Power range: DC8V --DC30V /1A

Humidity range: 10% to 90% non-condensing

Antennas:

Detachable SMA wifi antenna x 2

Detachable SMA LTE antenna x 2

MMCX to SMA cable for RFID x 4

Din rail kit: Yes

Wall mount kit: Yes

Dimensions (W x L x H): 131.7 x 125 x 26.1mm

Weight: 510g

Application Examples

<http://www.3jtech.com.tw>
info@3jtech.com.tw

S/W Specifications

Operation System:

Firewall:

IP and MAC Filter

Virtual Server and DMZ

NAT (Network Address Translation)

VPN:

PPTP, L2TP pass through

Communication Protocols:

IP, NAT, DHCP, PAP, CHAP, PPP, TCP, UDP, HHTTP, NTP

WiFi Specifications (2T2R 802.11n)

Output Power (WiFi):

802.11n:11 dbm

802.11g:13 dbm

802.11b:15 dbm

Sensitivity (WiFi):

802.11n : -68 dBm

802.11g : -68 dBm

802.11b : -85 dBm

WiFi Frequency:

2,4 - 2,462 GHz, CCK / OFDM (Modulation Range Coverage)

WiFi Distance:

Indoor: approximately 30 to 50 meters

Outdoor: 80 to 100 meters

Ordering Information

Model names	IWR_LTE	IWR_LTE_BLE	IWR_LTE_232	IWR_LTE_485	IWR_LTE_ISO	IWR_LTE_RFID
Features & specification						
WAN 10/100M	v	v	v	v	v	v
LAN 10/100M	v	v	v	v	v	v
Wifi 802.11 b/g/n MT7620IA 2T2R	v	v	v	v	v	v
LTE EC25	v	v	v	v	v	v
BLE nRF52832		v				
RS-232			v			
RS-485				v		
Isolation Digital IO					v	
RFID M2240						v
MicroSD						
Lora module						
MQTT server		v				
Serial port transparent TCP/UDP			v	v		
Mbus /RTU			v	v		